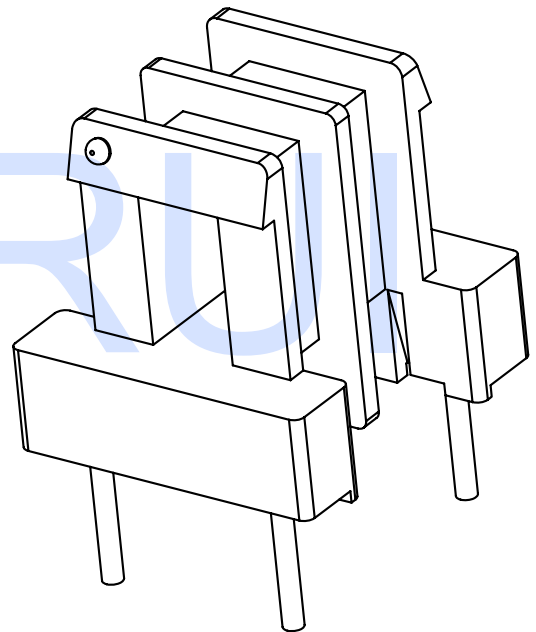
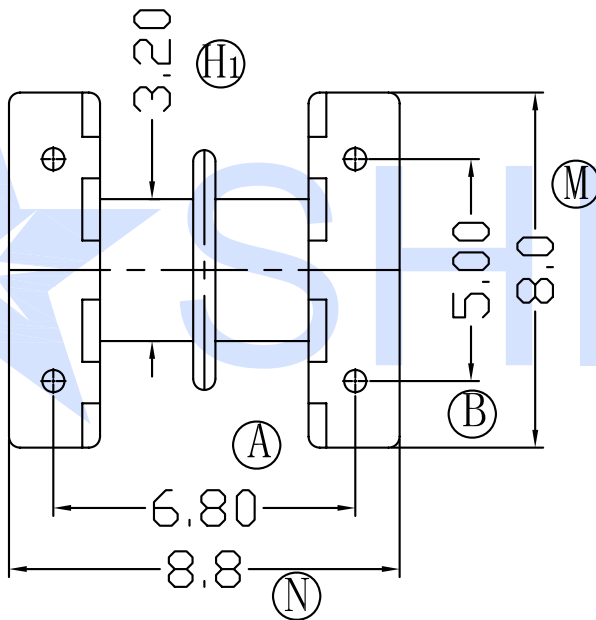
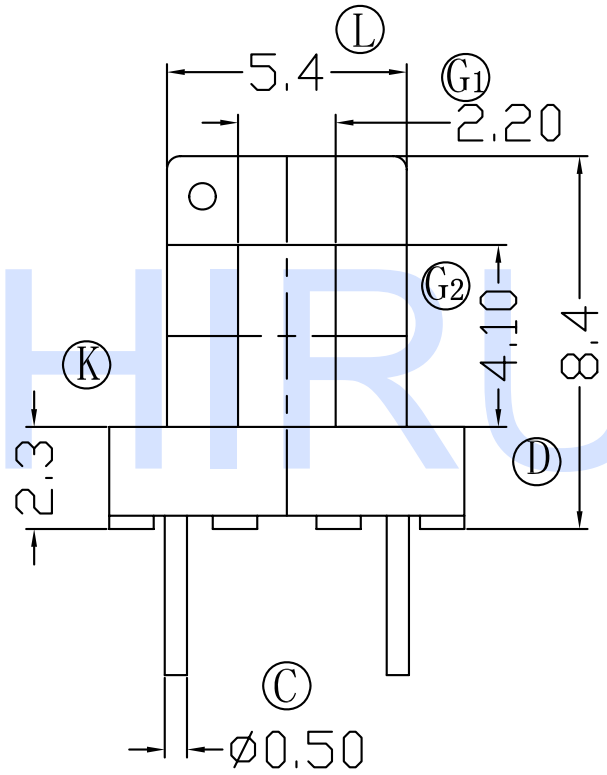
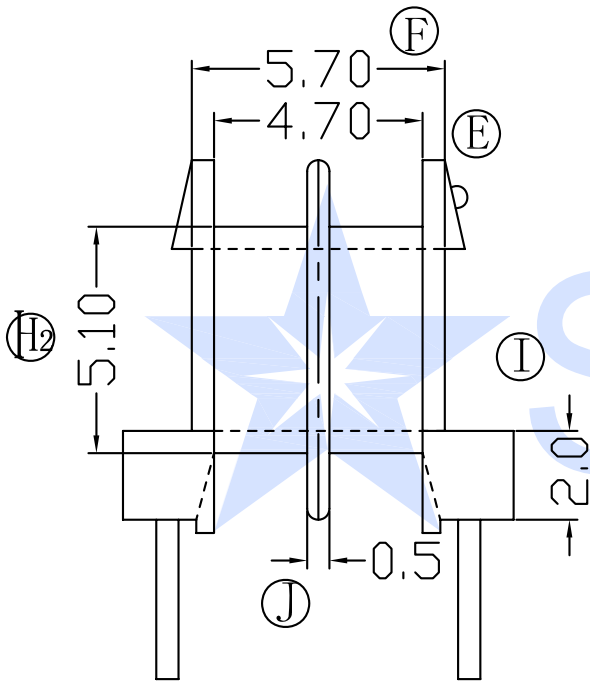


P/N

SR-EE 0804



Hefei Shirui Electronic Technology Co.,Ltd

TEL:(0086) 55165232650

sales@shiruitech.com

www.shiruitech.com

SR NO. SR-EE 0804	MATERIAL: PHENOLIC	UNIT: mm	DRN.	WILL H
MODEL NAME: EE8.3-(2+2P)-2S H	UL REC: UL 94V-0	TOLERANCE	CHD.	IRINA LEE
	ANGLE: ±°	0 L 4 ±0.10	ISSD.	JAMES HU
	 SCALE 1:1	4 L 16 ±0.20		
		16 L 64 ±0.30		
		PIN PITCH ±0.05		